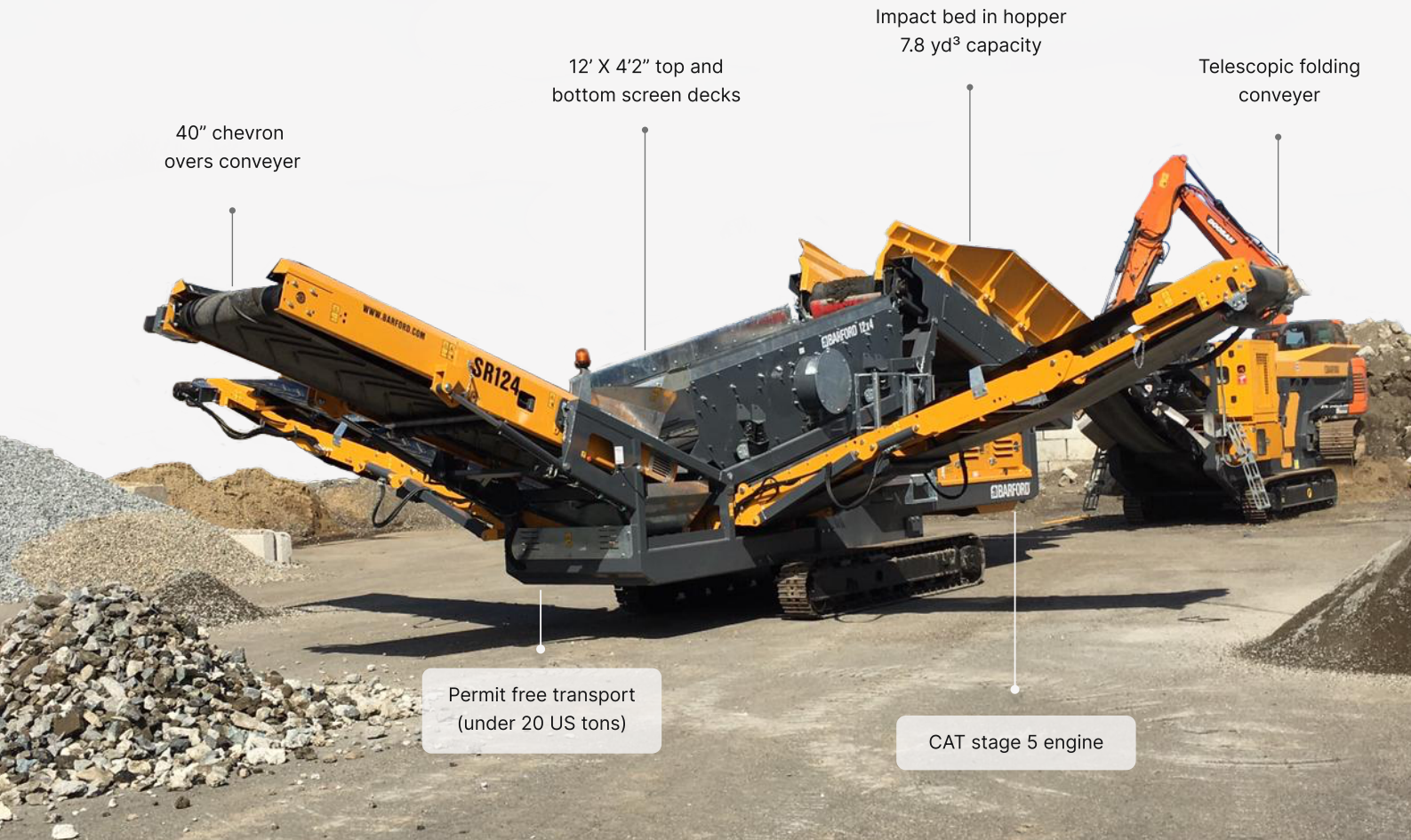


12' X 4'2" Three Way Screener



Compact, robust and made to move.

The SR 124 is the largest “containerisable” scalper on the market with a 12’ x 4’ top and bottom deck and its robust design putting it in a unique category of high production compact units.

Designed to work before a 30T crusher, after a 50T crusher or as a standalone unit on soil, sand & gravel, coal, over-burden or demolition materials, the SR transcends the “compact” label.

Key specs

| | |
|--------------------|------------------|
| Max TPH | 300 |
| Engine | 74hp CAT Stage 5 |
| Screen deck | 12’ 4” X 4’ 2” |
| Weight | 38,600 lbs |

Have questions? Call us  617-925-9549

or visit www.machinerypartner.com

12' X 4'2" Three Way Screener

We are not a dealership

What makes us different?

1. We sell from multiple manufacturers

Source equipment from manufacturers around the world, not just the ones you can drive to.

2. We provide rates from 50+ finance providers

We leverage large groups of lenders & the latest tech to get you the best rate possible.

3. We are supported by local boots on the ground

Our team sources and trains local technicians to service and repair your equipment — all across the U.S.



Delivering equipment & making customers happy



North Carolina

Recent delivery of the ever popular ARK K-JC 503 - Not to be beaten on value when crushing to 3/4"! Congratulations to Chad & team from Silver Creek Landscaping




Florida

A pleasure to deliver a full crushing, screening, and stockpiling line to Tyler and the team at Elite Pavers! They are now making their 3/4" base instead of relying on suppliers.



Massachusetts

Great to see John in MA upgrading his crusher/screener combo to make his gravel pit more efficient than ever. Less breakdowns and maintenance = more \$\$\$.

Have questions? Call us  617-925-9549

or visit www.machinerypartner.com

12' X 4'2" Three Way Screener

Available add-ons

Punch Plate on Top Deck

For harder applications, replace your top screening deck with a metal punch plate. Punch plate mesh can take more abuse and can reduce the cost of wear items.

Hopper Extensions

Increase the hopper capacity of the SR124 to load with bigger buckets and more material.

Hydraulic Rams added to Extensions

Add hydraulic rams to your hopper extensions so they can be folded down for transportation.

Dual Power Diesel/Electric

Convert your SR124 drive system to a dual power diesel/electric system

Wireless remote

Track and operate your screener from a distance or from the cab of an excavator without being tethered to the machine with the dog lead remote.



**FREE
SHIPPING**



**FREE
SETUP & TRAINING**



**12MO OR 2000H
WARRANTY**

Have questions? Call us



617-925-9549

or visit www.machinerypartner.com

12' X 4'2" Three Way Screener

Why Choose the SR124?

The SR124 is a highly compact and affordable alternative to popular screens from Powerscreen and McCloskey — offering competitive loading and output capacities at a fraction of the price.

Powerscreen Warrior 1200

12' x 4' Scalping Screen



Barford S124

12' X 4' 2" Scalping Screen



McCloskey R105

12' X 4" 6' Screener



Screening area [sqft]

48

50

54

Hopper capacity [yd3]

6.5

7.8

7.8

Stockpile Heights

Oversize: 9' 2"
Midsize: 9' 8"
Fines: 9' 10"

Oversize: 10' 2"
Midsize: 8' 8"
Fines: 8' 8"

Oversize: 11' 4"
Midsize: 11' 11"
Fines: 11' 10"

Engine

73 hp Deutz

74 hp CAT

130 hp CAT

Transport dimensions (L X W X H)

36' X 7' 5" X 8' 3"

36' 9" X 7' 7" X 9' 4"

42' 9" X 8' 2" X 10' 6"

Weight [lbs]

38,600

37,038

50,700

Have questions? Call us  **617-925-9549**

or visit www.machinerypartner.com

12' X 4'2" Three Way Screener

About the manufacturer




BARFORD

Barford equipment is manufactured among the world's top crushing, screening, and material handling brands in Ireland. It has an outstanding reputation for quality and reliability and with over 150 years in manufacturing. Barford's focus is reliability, simplicity, and functionality to get the job done. It's mission is to use its experience supply customers with equipment that add value to their business.

Full Specifications

| | |
|--------------------------|--|
| Max TPH | 300 |
| Screen deck | 12' 4" X 4' 2" |
| Screening area | 50 sqft |
| Hopper capacity | 7.8 yd3 |
| Engine | 74hp CAT Stage 5 |
| Weight | 38,600 lbs |
| Stockpile heights | Oversize: 10' 2" Midsize: 8' 8" Fines: 8' 8" |

| | |
|---------------------------------------|-----------------------|
| Working size (L X W X H) | 37'5" X 34'7" X 10'2" |
| Transport size (L X W X H) | 36'9" X 7'7" X 9'4" |

Have questions? Call us  [617-925-9549](tel:617-925-9549)

or visit www.machinerypartner.com

12' X 4'2" Three Way Screener

Pair your screener with a crusher, stacker and more

Barford | 750J

28" X 20" Jaw Crusher



| INPUT | OUTPUT | TPH |
|-----------|-----------|---------|
| Up to 16" | 1.5" - 5" | 150 tph |

Barford | R6536TR

65' Tracked Radial Conveyor



| FEED | STOCKPILE | TPH |
|-------|-----------|---------|
| 8' 4" | 26' 10" | 400 tph |

Sunward | SWE215F

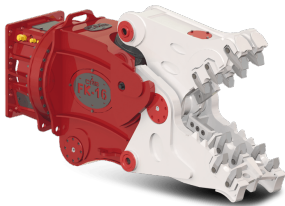
24 Ton Excavator



| WEIGHT | POWER | DIG DEPTH |
|------------|--------|-----------|
| 48,061 lbs | 173 hp | 22' 2" |

CMB | FK SERIES

55 Ton Rotating Pulverizer



| CARRIER | WEIGHT | JAW SIZE |
|-----------|-----------|----------|
| 40-50 ton | 9,000 lbs | 40" |

OMEGA | J1065T

40" X 26" Jaw Crusher



| INPUT | OUTPUT | TPH |
|-----------|---------|---------|
| Up to 21" | 2" - 6" | 150 tph |

ARK | KROKODILE

60" Mobile Shredder



| INPUT | OUTPUT | TPH |
|-----------|---------|---------|
| Up to 50" | 3" - 6" | 175 tph |

BARFORD | TR8036

80' Tracked Mobile Conveyor



| FEED | STOCKPILE | TPH |
|-------|-----------|---------|
| 4' 7" | 30' 2" | 400 tph |

SUNWARD | SWE155F

17 Ton Excavator




| WEIGHT | POWER | DIG DEPTH |
|------------|--------|-----------|
| 33,510 lbs | 121 hp | 18' 2" |

ROCKSTER | R900

36" X 29" Mounted Impact Crusher



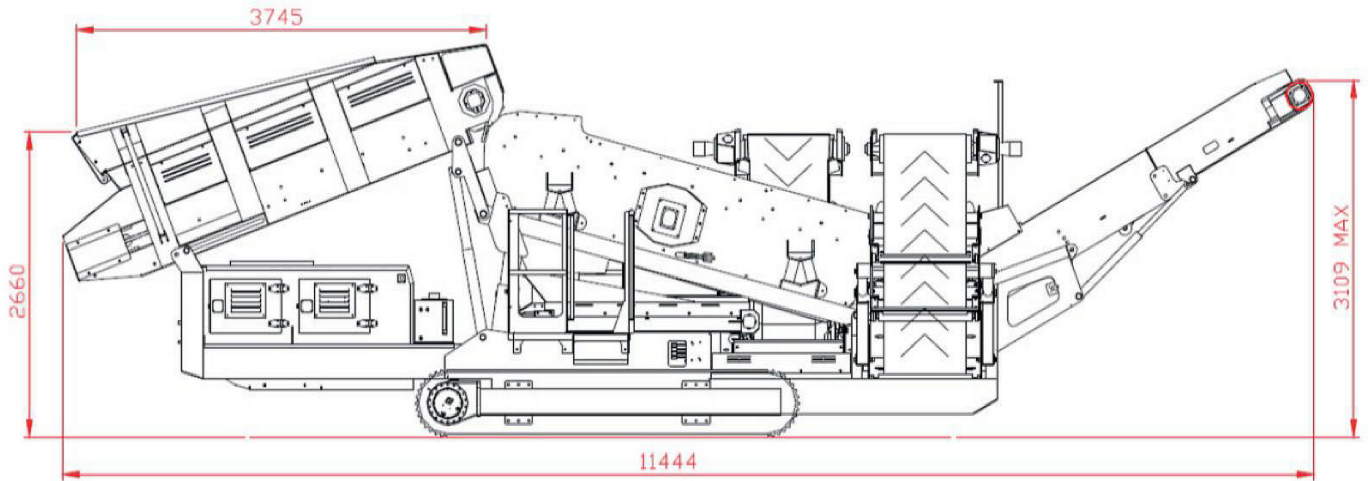
| INPUT | OUTPUT | TPH |
|-----------|--------|---------|
| Up to 22" | sub 2" | 240 tph |

Have questions? Call us  617-925-9549

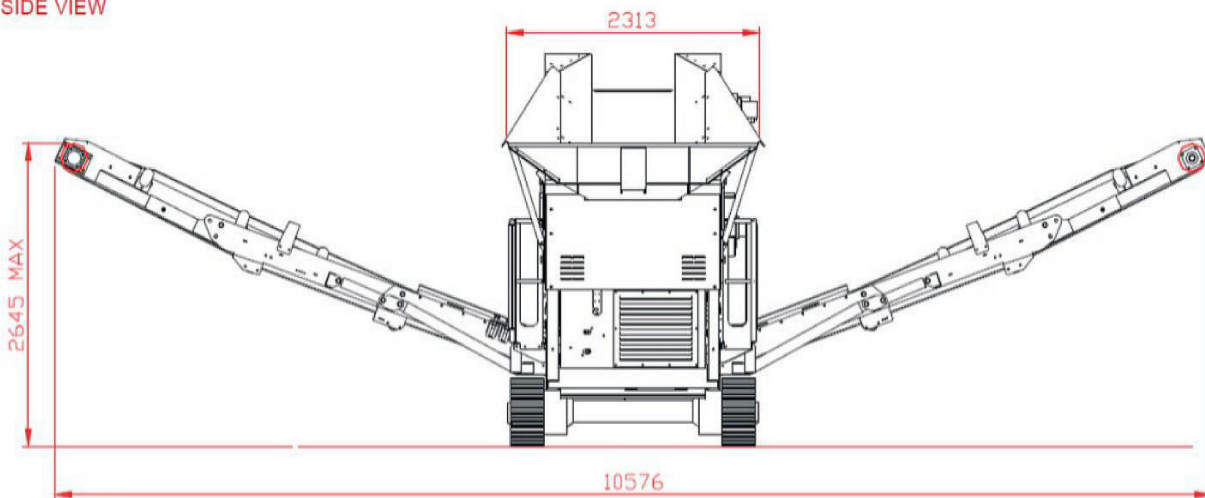
or visit www.machinerypartner.com

12' X 4'2" Three Way Screener


Working dimensions



SIDE VIEW



END VIEW

Have questions? Call us  617-925-9549

or visit www.machinerypartner.com

12' X 4'2" Three Way Screener

Why Choose the S124?

The SR124 has been designed from the ground up to give the highest possible output for a machine that doesn't require permits for transport. Its affordable price point also makes it one of the most screeners on the market.

ARK Kompatto 5030

8' 10" x 3' 9" Scalping Screen



Barford S124

12' X 4' 2" Scalping Screen



Powerscreen Warrior 1400

11' 10 X 4" 6' Screener



Screening area [sqft]

34

50

54

Hopper capacity [yd3]

3.2

7.8

8.9

Stockpile Heights

Oversize: 6' 8"
Midsize: 6' 3"
Fines: 6' 3"

Oversize: 10' 2"
Midsize: 8' 8"
Fines: 8' 8"

Oversize: 11' 3"
Midsize: 11' 10"
Fines: 12' 2"

Engine

35 hp Doosan

74 hp CAT

110 hp CAT

Transport dimensions (L X W X H)

31' 6" X 7' 5" X 8' 4"

36' 9" X 7' 7" X 9' 4"

46' 6" X 9' X 10' 6"

Weight [lbs]

26,455

37,038

60,848

Have questions? Call us  617-925-9549

or visit www.machinerypartner.com