

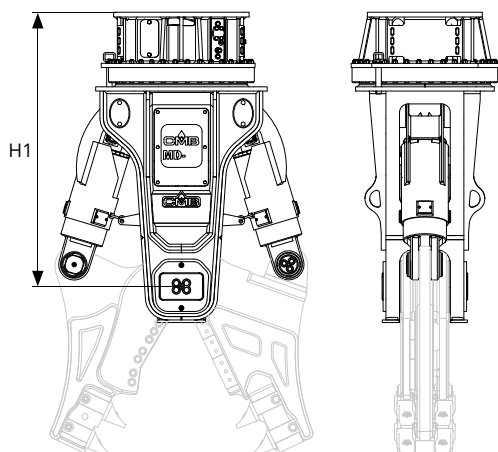
MD SERIES

MULTI KIT PULVERIZER DEMOLITORE MULTI KIT

HARDOX
IN MY BODY



Drain line advised
Drenaggio consigliato



| MD SERIES | | MD16 | MD22 | MD28 | MD35 | |
|-----------|--|-------|-----------|-----------|-----------|-----------|
| | EXCAVATOR WEIGHT WITH SHEAR IN BUCKET POSITION | ton | 15 / 20 | 21 / 27 | 28 / 40 | 35 / 50 |
| H1 | | mm | 1230 | 1550 | 1600 | 1870 |
| | EXCAVATOR WORKING PRESSURE | bar | 350 | 350 | 350 | 350 |
| | EXCAVATOR OIL FLOW | l/min | 140 / 180 | 180 / 250 | 200 / 280 | 250 / 320 |
| | ROTATION WORKING PRESSURE | bar | 120 | 120 | 120 | 120 |
| | ROTATION OIL FLOW | l/min | 15 | 15 | 15 | 20 |
| | SPEED VALVE | | YES | YES | YES | YES |

MD SERIES + CD KIT



MD SERIES + CC KIT



MD SERIES + CF KIT



MD SERIES + CR KIT



Attachment-excavator couplings data are for information only, always check load diagram of the machine.

➤ **FRAME IN STREX 700**
STRUTTURA IN STREX 700

➤ **JAWS IN HARDOX 450**
CHELE IN HARDOX 450

➤ **FULLY PROTECTED HYDRAULIC COMPONENTS**
IDRAULICA COMPLETAMENTE COPERTA

➤ **SPEED VALVE**
VALVOLA DI VELOCITÀ

MD is a multi kit attachment with interchangeable jaws. On the main frame is possible to set different type of jaws that allow to face every situation in the demolition field.

- > Versatility
- > Hardened pins and bushings
- > Reinforced rotating motor
- > Adjustable rotation speed

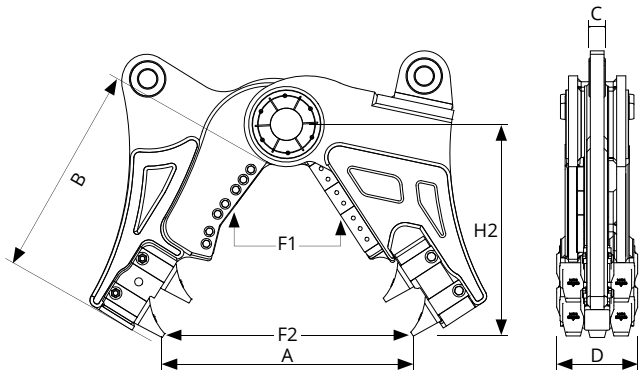
L'MD identifica un prodotto le cui caratteristiche sono un'alta funzionalità e modularità. Su una struttura principale, che costituisce il corpo della macchina, è possibile montare diversi tipi di kit che permettono di affrontare qualsiasi situazione nel campo delle demolizioni.

- > Versatilità
- > Perni temprati e boccole in acciaio
- > Motore di rotazione rinforzato
- > Regolazione velocità di rotazione



CD KIT

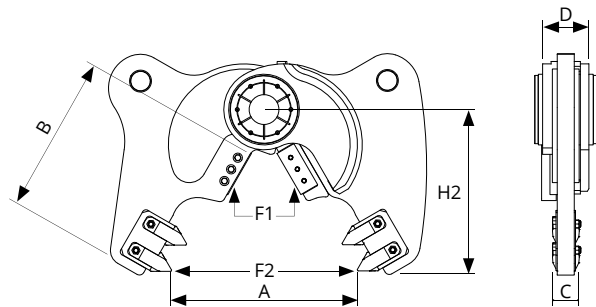
COMBI KIT KIT COMBI



| | CD KIT | CD16 | CD22 | CD28 | CD35 |
|---------------------|--------|------|------|------|------|
| BODY WEIGHT | kg | 980 | 1590 | 1950 | 2350 |
| JAWS WEIGHT | kg | 640 | 700 | 1050 | 1230 |
| TOTAL WEIGHT | kg | 1620 | 2290 | 3000 | 3580 |
| A | mm | 600 | 750 | 840 | 980 |
| B | mm | 650 | 770 | 920 | 1050 |
| C | mm | 90 | 100 | 110 | 130 |
| D | mm | 240 | 280 | 330 | 360 |
| BLADE | mm | 375 | 375 | 445 | 520 |
| H2 | mm | 600 | 750 | 990 | 1150 |
| H1+H2 | mm | 1830 | 2300 | 2590 | 2920 |
| F1 | ton | 150 | 190 | 250 | 350 |
| F2 | ton | 60 | 70 | 85 | 120 |
| Ø MAX | mm | 40 | 50 | 60 | 70 |

CC KIT

PRIMARY DEMOLITION KIT KIT PINZA PRIMARIA

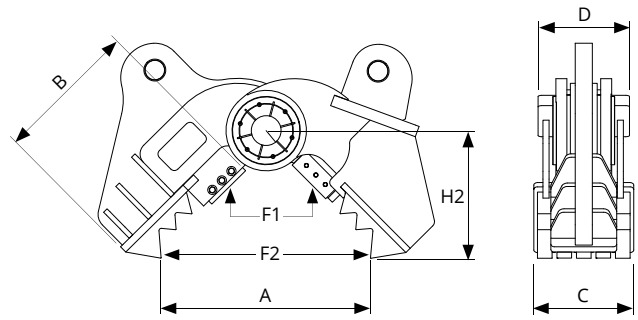


| | CC KIT | CC16 | CC22 | CC28 | CC35 |
|---------------------|--------|------|------|------|------|
| BODY WEIGHT | kg | 980 | 1590 | 1950 | 2350 |
| JAWS WEIGHT | kg | 540 | 700 | 900 | 1100 |
| TOTAL WEIGHT | kg | 1520 | 2290 | 2850 | 3450 |
| A | mm | 710 | 800 | 880 | 980 |
| B | mm | 520 | 640 | 760 | 890 |
| C | mm | 90 | 100 | 110 | 130 |
| D | mm | 240 | 280 | 330 | 360 |
| BLADE | mm | 375 | 375 | 445 | 520 |
| H2 | mm | 520 | 600 | 800 | 910 |
| H1+H2 | mm | 1750 | 2150 | 2400 | 2780 |
| F1 | ton | 160 | 200 | 260 | 400 |
| F2 | ton | 60 | 75 | 87 | 110 |
| Ø MAX | mm | 40 | 50 | 60 | 70 |

Attachment-excavator couplings data are for information only, always check load diagram of the machine.

CF KIT

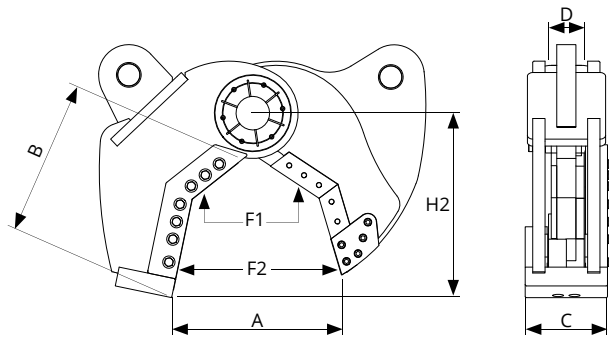
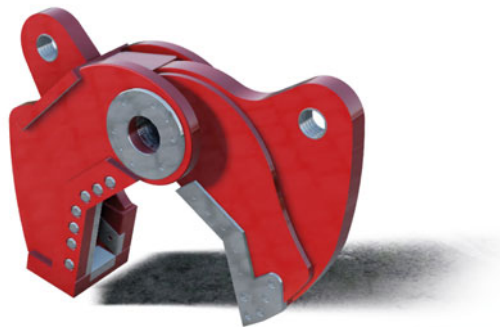
**DEMOLITION KIT
KIT DEMOLIZIONE**



| CF KIT | | CF16 | CF22 | CF28 | CF35 |
|---------------------|-----|------|------|------|------|
| BODY WEIGHT | kg | 980 | 1590 | 1950 | 2350 |
| JAWS WEIGHT | kg | 560 | 780 | 920 | 1120 |
| TOTAL WEIGHT | kg | 1540 | 2370 | 2870 | 3470 |
| A | mm | 600 | 710 | 840 | 920 |
| B | mm | 500 | 600 | 750 | 800 |
| C | mm | 260 | 290 | 340 | 380 |
| D | mm | 260 | 290 | 340 | 380 |
| BLADE | mm | 375 | 375 | 445 | 520 |
| H2 | mm | 550 | 630 | 820 | 880 |
| H1+H2 | mm | 1780 | 2180 | 2420 | 2750 |
| F1 | ton | 160 | 200 | 245 | 380 |
| F2 | ton | 62 | 75 | 85 | 130 |
| Ø MAX | mm | 40 | 50 | 60 | 70 |

CR KIT

**SHEAR KIT
KIT CESCOIA**



| CR KIT | | CR16 | CR22 | CR28 | CR35 |
|---------------------|-----|------|------|------|------|
| BODY WEIGHT | kg | 980 | 1590 | 1950 | 2350 |
| JAWS WEIGHT | kg | 570 | 660 | 940 | 1140 |
| TOTAL WEIGHT | kg | 1550 | 2250 | 2890 | 3490 |
| A | mm | 380 | 420 | 470 | 520 |
| B | mm | 490 | 600 | 740 | 790 |
| C | mm | 260 | 290 | 340 | 380 |
| D | mm | 190 | 250 | 290 | 350 |
| H2 | mm | 540 | 650 | 850 | 900 |
| H1+H2 | mm | 1900 | 2050 | 2120 | 2250 |
| F1 | ton | 160 | 200 | 230 | 300 |
| F2 | ton | 70 | 85 | 95 | 125 |
| Ø MAX | mm | 40 | 50 | 60 | 70 |