

MEDIUM EXCAVATOR

SWE155F

Engine Power: 124.62 HP/ 93 kW

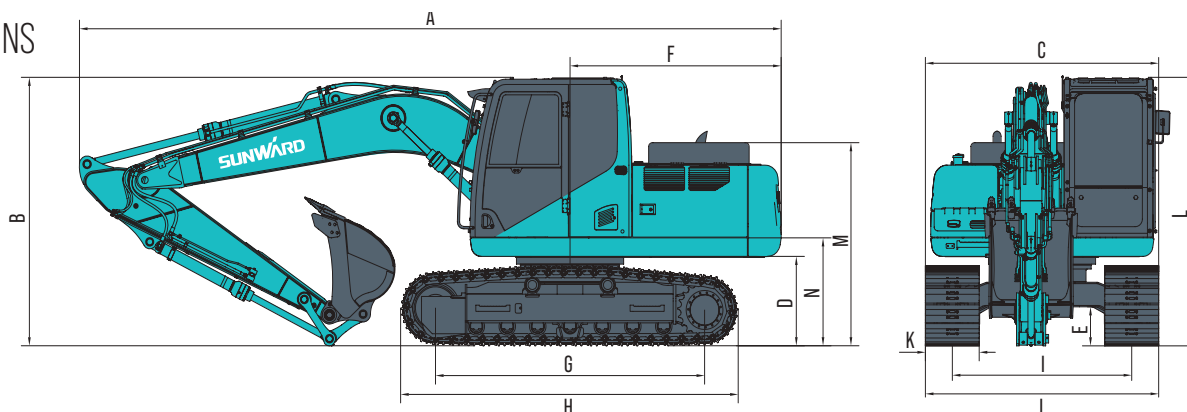
Machine Weight: 3,4392 lb/ 15600 kg



TECHNICAL PARAMETERS

		Imperial	Metric
TYPE OF CAB		Cab	Cab
BUCKET CAPACITY		0.8 yd ³	0.61 m ³
BUCKET WIDTH, STD.		3'1"	940 mm
MACHINE WEIGHT		34392 lb	15 600 kg
DIMENSIONS	Boom Length	15'1"	4 600 mm
	Arm Length	8'2"	2 500 mm
	Overall dimension (L × W × H)	27'1" x 8'6" x 9'8"	8 250 * 2 600 * 2 950 mm
	A Total Length	27'1"	8 250 mm
	B Total Height	9'4"	2 850 mm
	C Total Width	8'6"	2 600 mm
	D Counterweight ground clearance	3'1"	940 mm
	E Mini ground clearance	1'4"	410 mm
	F Tail swing radius	7'9"	2355 mm
	G Track length on the ground	9'10"	3 000 mm
	H Track Length	12'4"	3 765 mm
	I Track gauge	6'7"	2 000 mm
	J Undercarriage Width	8'6"	2 600 mm
	K Trackshoe width	2'	600 mm
	L Cab height	9'4"	2 850 mm
	M Height of engine hood	7'	2 145 mm
N Width of turntable	8'2"	2 490 mm	
SPECIFICATION	Operating weight	34392 lb	15 600 kg
	Bucket capacity	0.8yd ³	0.61 m ³
ENGINE	Brand	Cummins	Cummins
	Emmission Rating	Tier 4 Final	Tier 4 Final
	Model	QSF3. 8	QSF3. 8
	Type	4 Stroke, Turbo Charged, Air cooled, Direct In	4 Stroke, Turbo Charged, Air cooled, Direct In
	Power	124.62 HP/2 200 rpm	93 kW/2 200 rpm
	Max Output Torque	369 lbf.ft/1 500 rpm	500 Nm/1 500 rpm
	Displacement	1 gal	3.8 L
HYDRAULIC SYSTEM	Hydraulic pump type	Variable Piston Pump	Variable Piston Pump
	Max displacement of hydraulic pump	2×27.8 gal/min	2×126.4 L/min
	Hydraulic pressure of hydraulic pump	34.3 Mpa	34.3 Mpa
	Pilot pump	Gear Pump	Gear Pump
	Max displacement of pilot pump	4.4 gal/min	20 L/min
	Hydraulic pressure of pilot pump	3.9 Mpa	3.9 Mpa
PERFORMANCE	Swing speed	11 rpm	11 rpm
	Travel Speed	3.3-2 mi/h	5.3-3.2 km/h
	Gradeability	35 °	35 °
	Ground Pressure	5.34 psi	36.8 kPa
TANK CAPACITY	Fuel Tank Capacity	53.9 gal	245 L
TRACK		2' steel track	2' steel track
		2'4" steel track	2'4" steel track
		2'7" steel track	2'7" steel track

DIMENSIONS



WORKING RANGE

		Imperial	Metric
WORKING RANGE & BREAKOUT FORCE	a	Max. cutting height	28'4" 8 640 mm
	b	Max. loading height	20'2" 6 145 mm
	c	Max. digging depth	18'2" 5 525 mm
	d	Max. digging depth (2.4 m)	17'5" 5 320 mm
	e	Max. vertical digging depth	16'2" 4 930 mm
	f	Max. digging reach	27'4" 8 330 mm
	g	Max. reach on ground	26'9" 8 150 mm
	h	Min. front swing radius	8'4" 2 530 mm
	i	Max dozer lifting height	1'9" 532 mm
	j	Max dozer cutting depth	2'1" 628 mm
		Max digging force (Bucket)	22480 lbf 100 kN
		Max digging force (Arm)	17085 lbf 76 kN

