

PRODUCT DESCRIPTION



R900
DUPLEX

MOBILE TRACK-MOUNTED IMPACT CRUSHER

Inlet opening

900 x 720 mm / 36" x 29"

Performance

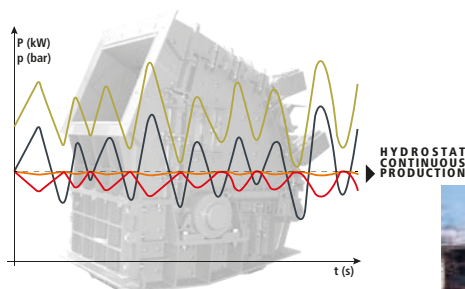
bis zu 240 t/h / 270 st/h*

Weight

25,5 t / 56.300 lbs



Continuous power to the rotor, independent from the engine, for constant crushing performance.



Rockster's hydrostatic drive makes sure that the engine runs in optimum rpm independent from the rotor.



Compact, mobile & easily moved on the construction site. Less down-time.



CONSTANT PERFORMANCE



HYDROSTATIC DRIVE



MAXIMUM FLEXIBILITY



INCREASED MOBILITY



EASE OF OPERATION



LONG-TERM RELIABILITY



Optimal transport dimensions for fast loading and unloading of the crusher.



Quality parts from leading component manufacturers.



Intuitive easy-to-use central machine control unit with a radio remote control.

APPLICATION AREAS



Perfect cubic final grain

COMPACT. FLEXIBLE. POWERFUL.

Rising landfill costs and raw material prices, as well as the need for waste separation, makes the recycling of construction materials very pertinent. This not only protects the environment, but also helps building contractors to save costs.

Rockster mobile crushers guarantee profitable recycling of asphalt, concrete and demolition debris

as well as processing of natural stone.

The compact mobile track-mounted impact crusher **R900d** offers best mobility and high ease of use because of numerous technological refinements. Versatile setting options ensure excellent final grain quality and increased usability.

R900d - your reliable, compact solution for recycling and crushing of:

CONCRETE



Recycled concrete blocks 0/16

C&D WASTE



Subbase road 0/32

ASPHALT



Road 0/32

BRICK



Refilling pipelines 0/64

VIRGIN STONE



Forest road 0/32



„The main argument for another Rockster impact crusher was the unbeatable output. I also tested equipment from other manufacturers, but in case of crushing performance this machine is one step ahead of the others. In relation to the specific jobs, Rockster offers countless settings where the parameters can be adjusted to get the most out of the impactor. Once these settings have been saved, the operation is very simple: Turn the key – get on the excavator – press the Start-button twice and get started.“

Holger Kopitz, Founder and CEO
BB Bauschutt Brecher GmbH, Germany



“This is perhaps one of the biggest reasons why we chose to stay with Rockster and how we have built such a strong relationship. Every question or any problem that we might have had, has been solved in no time. Vojo (Rockster Service Technician) has been servicing and maintaining the machine regularly, so we did not have any problems.“



„By purchasing our own mobile crusher, we are now not only able to immediately recycle construction materials from our construction sites, but we can also increase our revenue from renting our mobile crusher.“



Martin Meier, CEO
Martin Meier Erdbau, Germany

Lazar Zeković, CEO
Zeković Company Doo, Montenegro

MAIN DIMENSIONS

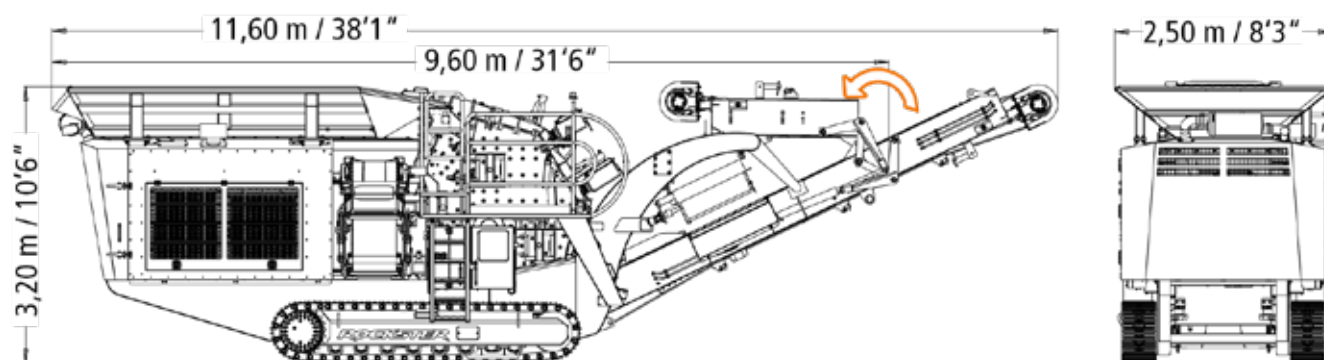


Transport dimensions

Length:	31'6" / 9,60 m
Width:	8'3" / 2,50 m
Height:	10'6" / 3,20 m
Transport weight:	56.300 lbs / 25,5 t

Feeding & discharge height

Feeding height:	10'6" / 3,20 m
Main discharge belt:	~ 10'6" / 3,20 m
Side discharge belt:	~ 7'7" / 2,30 m



TECHNICAL DETAILS

MAXIMUM FLEXIBILITY

The Rockster impact crusher guarantees highest performance at a very high crushing ratio.

Due to two hydraulically adjustable swing-beams, as well as the rotor speed variation, the final grain can be optimally defined. High quality blow bars can be used bilaterally too and are

chosen individually depending on the application. The blow bar exchange is possible through a built-on blow bar exchange device, therefore an external lifting device is not necessary. High quality wear materials ensure reduced wear.

Impact crusher

Inlet opening:	36" x 29" / 900 x 720 mm
Impact circle diameter:	41" / 1020 mm
Rotor equipment:	4 hammers
Crushing ration:	1:10 - 1:50
Performance:	up to 270 st/h / 240 t/h
Rotor speed (continuously adjustable):	up to 850 rpm
Weight:	16,645 lbs / 7.550 kg
Drive:	hydrostatic
Gap adjustment (adjusted on display):	fully hydraulic
Dust suppression:	At the crusher inlet & outlet



Drive

Engine (electronically regulated):	Volvo Tier 3a - 200 kW / ~268 HP
	Volvo Tier 4 Final - 210 kW / ~282 HP
	Volvo STAGE V - 210 kW / ~282 HP
Cylinder:	6
Cooling system:	water

The drive system is located at the rear of the machine, enclosed in a sound-proofed housing. Engine openings are positioned on all sides for easy access, service and overall maintenance.

The hydraulic pump for all auxiliary drives (main discharge belt, side discharge belt, vibration chute, crawler gear...) as well as the pump for the hydrostat are driven via a distributing gear unit which is flange-mounted on the drive engine. The hydrostat activates the crusher via a V-belt drive.



ADVANTAGES OF THE HYDROSTATIC DRIVE

- > Elimination of conventional clutch. No wear.
- > Individual adjustment of crusher speed
- > Crusher overload protection
- > Power adjustment according to individual requirements
- > Uniform throughput
- > Enormous power reserves
- > Adjustment of rotating direction (Duplex)

Feed hopper

Material:	Hardox 400
Volume:	5.3 yd ³ / 4,0 m ³
Length:	12'6" / 3800 mm
Width:	8'2" / 2500 mm
Height:	10'6" / 3200 mm



Vibration chute with pre-screening

Material:	Hardox 450
Length:	47" / 1200 mm
Width:	36" / 900 mm
Type:	Zig zag
Option:	bar screen
Drive:	hydraulic - continuously adjustable



Bypass

The switchable chute (Bypass) enables the discharge of pre-screened material on the side or onto the main discharge belt.

Easy switch via hand lever.

No special assembly necessary.

No wear. No service.



Main discharge belt

Belt width:	40" / 1000 mm
Discharge height:	~ 10'6" / 3,20 m
Angle:	26°
Drive:	hydraulic, continuously variable

The main discharge belt is hydraulically foldable for transport purposes.



Side discharge belt

Belt width:	20" / 500 mm
Discharge height:	~ 7'6" / 2,30 m
Angle:	20°
Drive:	hydraulic

The side discharge belt is hydraulically foldable for transport purposes.



Magnetic separator

Type:	Permanent magnet
Belt width:	30" / 750 mm
Weight:	2645 lbs / 1200 kg
Drive:	hydraulic



Caterpillar crawler

Tread width:	16" / 400 mm - slanted
Wheel base:	9'6" / 2900 mm
Surface:	triple ribbed pads
Drive:	2-speed hydraulic



Control panel

Central control/operating unit ensures an easy operation and machine monitoring in connection with a wireless remote control.

Fully automatic engine Start-Stop system with only one button.

- › Save the operation settings for various applications
- › Error monitoring - error log
- › Input & output status
- › Fast start of operation (QUICKSTART-Function)



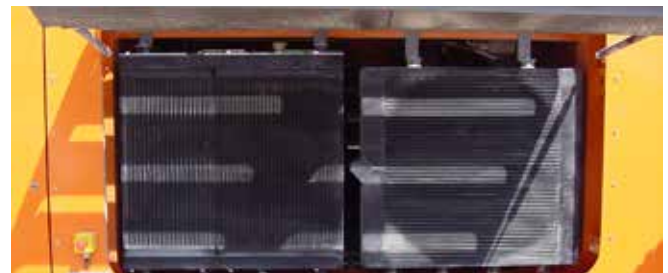
EASY MAINTENANCE



Ideal accessibility



Large covers enable optimal accessibility when it comes to service and maintenance. Furthermore they ensure optimal ventilation of the drive-unit and the cooler. It makes it a dream for every service technician when it comes to service and maintenance.



OPTIONS



Central lubrication system



1 Belt weigh scale incl. printer



2 Air compressor



3 Water pump



4 Blow-bar change system



5 Dust suppression

OPTION: SCREENING SYSTEM SCREEN BOX RS83 + RETURN BELT RB75



Defined final product in one workflow

The optional screening system consists of the compact circular vibrating screen RS83 in combination with the return belt RB75. The screening system is a perfect addition for the production of 100 % defined final grain.

The components are mounted directly onto the main discharge belt and are driven through the additional hydraulic system of the crusher.



Vibrating screen

Screen size:	6' x 4' / 1830 x 1200 mm
Standard mesh:	1 1/2" / 38 mm

Special screens available on demand



Discharge conveyor - fines

Belt width:	32" / 800 mm
Discharge height:	~ 10'5" / 3,20 m



Discharge conveyor - oversize grain

Belt width:	20" / 500 mm
-------------	--------------

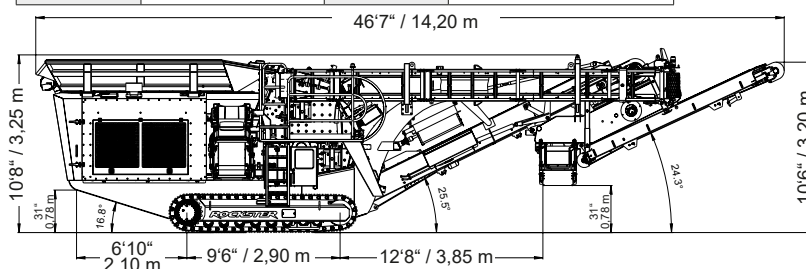


RB75 return belt

Belt width:	16" / 400 mm
-------------	--------------

Transport dimensions R900d + RS83 + RB75

Length:	46'7" / 14,20 m	Width:	8'3" / 2,50 m
Height:	10'8" / 3,25 m	Weight:	63,100 lbs / 28,60 t

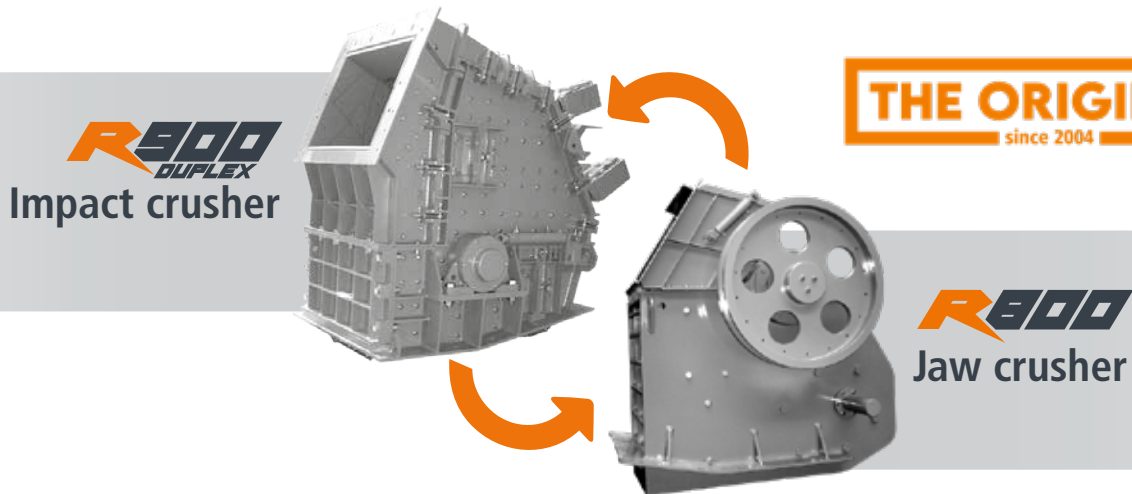


OPTIONEN



DUPLEX SYSTEM

The unique design of the ROCKSTER crusher allows the transformation from a jaw crusher to an impact crusher and vice versa in only a few hours. Achieve maximum machine utilization by using one carrier and different crusher units to rapidly adapt to different job requirements.



AIR BLOWER - for cleaner and higher quality final product

RVB1700

The Rockster Air blower RVB1700 is used to efficiently separate non-aggregates from the final end-material, which results in a cleaner and higher quality final product. This enables Rockster customers to work more environmentally friendly and economically.



Technical details

Air volume:	up to 1.700 m ³ /h / 2,223 yd ³ /h
Differential pressure:	up to 7.000 Pa
Drive power:	up to approx. 15 kW / 20 hp
Drive - rpm:	up to 3.200 min ⁻¹
Weight:	approx. 150 kg / 330 lbs



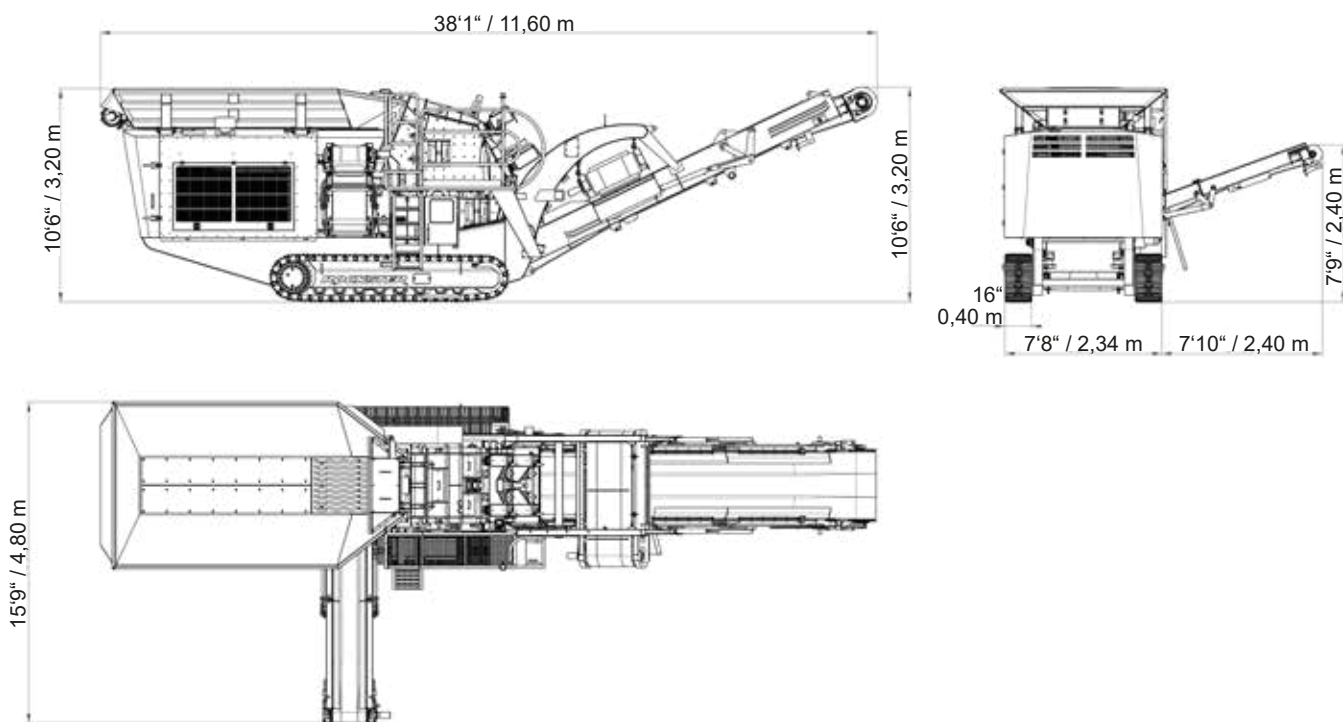
VIDEO



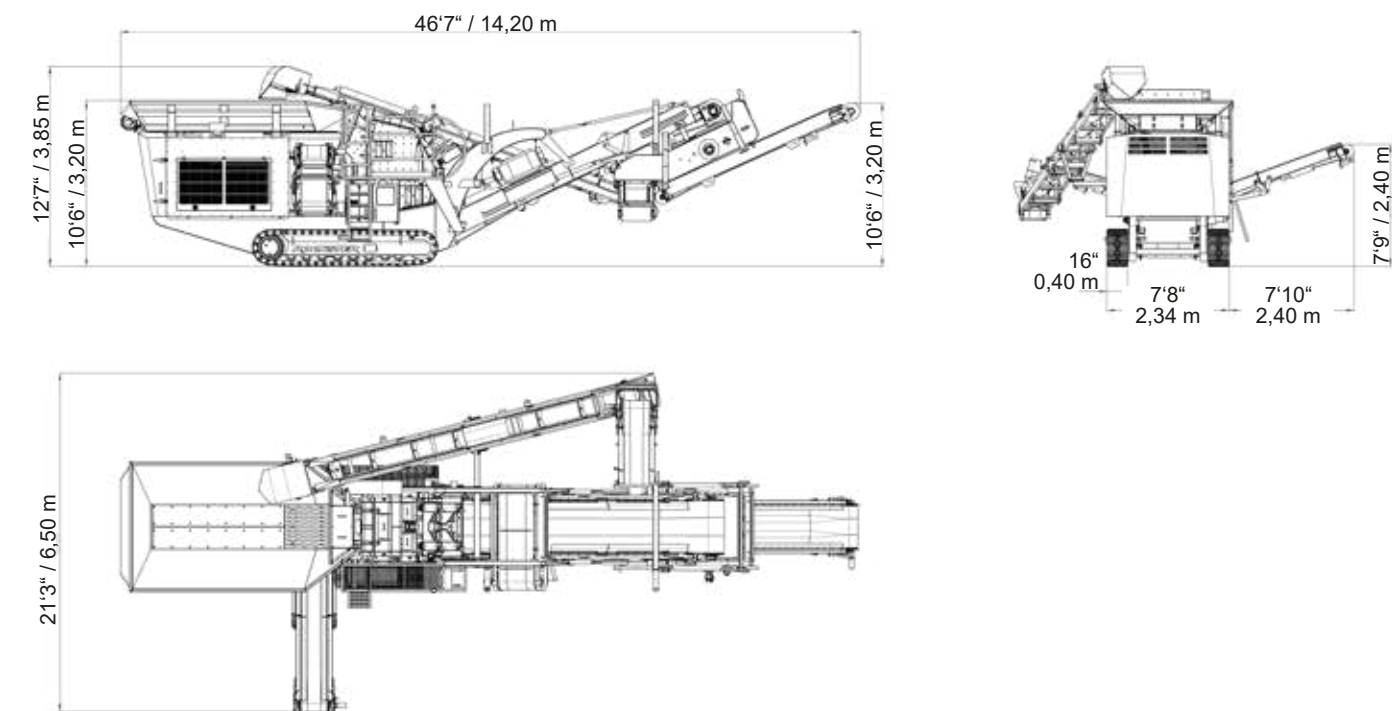
WORKING DIMENSIONS



R900d



R900d with screening system



GENERAL INFORMATION



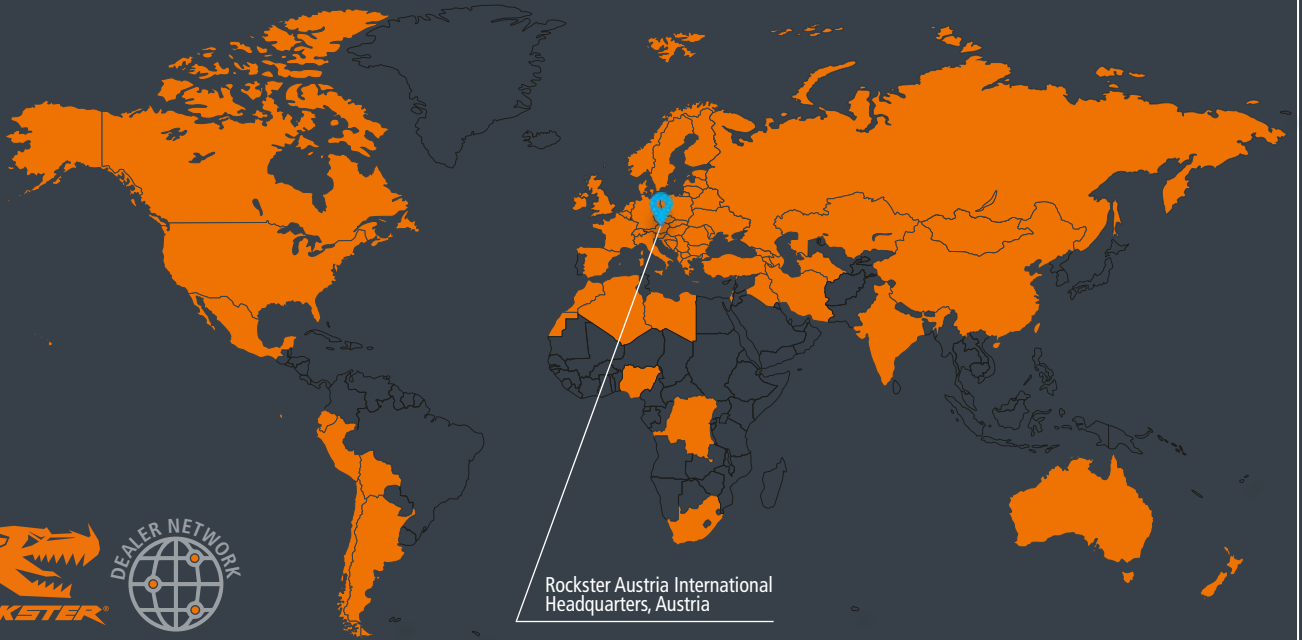
Austrian based manufacturer Rockster Austria International GmbH has a longstanding reputation and the know-how in demolition and screening industry.

The product line includes, among others, track mounted impact and jaw crushers, screening machinery and tracked stackers. "Our mobile crushers and screeners are used for profitable & economical recycling and processing of asphalt, concrete and construction waste, as well as for natural stone.

With innovations like The Original DUPLEX system or double-functional return belt, we repeatedly demonstrate our progressive approach towards improving and developing more efficient recycling & processing methods."

Rockster machines are sold in more than 50 countries worldwide. Our sales partner network guarantees the ideal on-site package of product and service in order to support and secure the daily success of our customers.





Rockster Austria International
Headquarters, Austria

SOLD IN MORE THAN 50 COUNTRIES WORLDWIDE

**COMPETENCE.
PROGRESS.
PARTNERSHIP.**

Rockster Austria International GmbH | Matzelsdorf 72, 4212 Neumarkt i.M., Austria
Tel.: +43 720 70 1212 | office@rockster.at | www.rockster.at

