

COMPACT EXCAVATOR

**SWE60UF**

Engine Power: **48.2HP/36 kW**

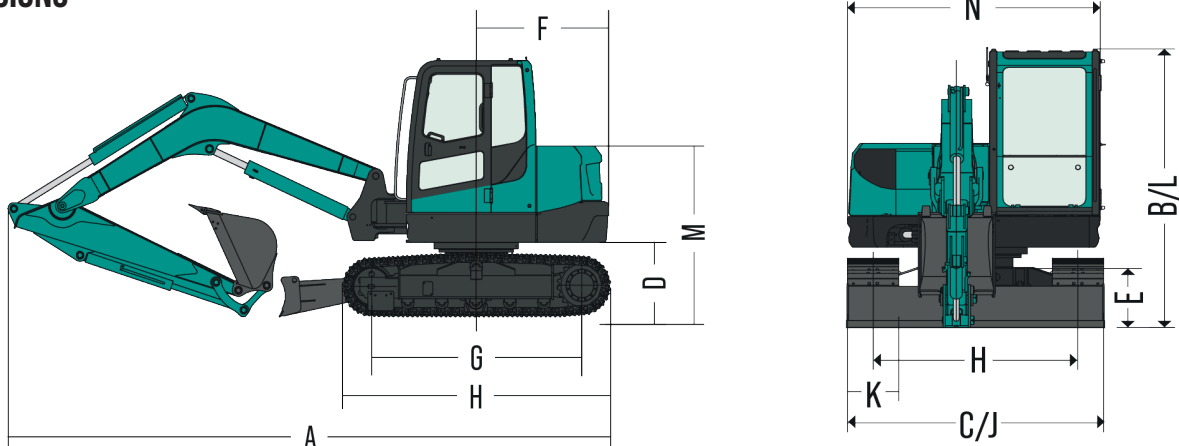
Machine Weight: **12,723 lbs/6000 - 6170 kg**



# TECHNICAL PARAMETERS

		Imperial	Metric
TYPE OF CAB		Cab	Cab
BUCKET CAPACITY		0.24 yd <sup>3</sup>	0.18 m <sup>3</sup>
BUCKET WIDTH, STD.		26.52 in	680 mm
MACHINE WEIGHT		13,230-13,605 lbs	6000 - 6170 kg
DIMENSIONS	Overall dimension (L × W × H)	18' x 6' 5" 8' 4"	5 500 × 1960 × 2 550 mm
	A Total length	18'	5 500 mm
	B Total height	8' 4"	2 550 mm
	C Total with	6' 5"	1 960 mm
	D Ground clearance of counter weight	2' 1"	640 mm
	E Minimum ground clearance	13"	330 mm
	F Tail swing radius	3' 5"	1 050 mm
	G Track length on the ground	6' 5"	1 965 mm
	H Track length	8' 2"	2 490 mm
	I Track gauge	5' 1"	1 560 mm
	J Undercarriage width	6' 5"	1 960 mm
	K Track shoe width	15.6"	400 mm
	L Cab height	8' 4"	2 550 mm
	M Height of engine hood	5' 2"	1 570 mm
	N Width of turntable	6' 1"	1 845 mm
	Max digging force (Bucket)	10,565.6 lbf	47 kN
	Max digging force (Arm)	6,968.8 lbf	31 kN
ENGINE	Brand	KUBOTA	KUBOTA
	Model	V2607-CR-T	V2607-CR-T
	Type	Inline, 4 cylinders, 4 strokes, water cooled, mechanical pump	Inline, 4 cylinders, 4 strokes, water cooled, mechanical pump
	Emission rating	Teir 4 Final	Teir 4 Final
	Displacement	0.7 gal	2.615 L
	Output	48.2HP/2,000 rpm	36 kW / 2 000 rpm
	Max torque	152.69/1,300 lbf.ft./rpm	206.9 / 1300 N*m/rpm
TRACK	Type	Rubber Track	Rubber Track
	Rubber shoe width	15.6"	400 mm
UNDERCARRIAGE	Track length	8' 2"	2 490 mm
	Traveling speed (High/Low)	2.49/1.49 mph	4.0/2.4 km/h
	Gradeability	35 deg	35 deg
SWING SPEED		9.4 rpm	9.4 rpm
GROUND PRESSURE		4.91 psi	33.87 kpa
HYDRAULIC PUMPS	Hydraulic pump type	2 variable plunger pumps	2 variable plunger pumps
	Max displacement of hydraulic pump	2*26.9cc	2*26.9cc
	Hydraulic pressure of hydraulic pump	3,552.5 psi	245 bar
	Pilot pump	Gear pump	Gear pump
	Max displacement of pilot pump	4.9cc	4.9cc
	Hydraulic pressure of pilot pump	565.50 psi	39 bar
SWING MOTOR		Plunger motor	Plunger motor
TRAVEL MOTOR		2-speed plunger motor	2-speed plunger motor
FUEL TANK CAPACITY		18.5 gal	70 L
HYDRAULIC OIL TANK CAPACITY		18.5 gal	70 L

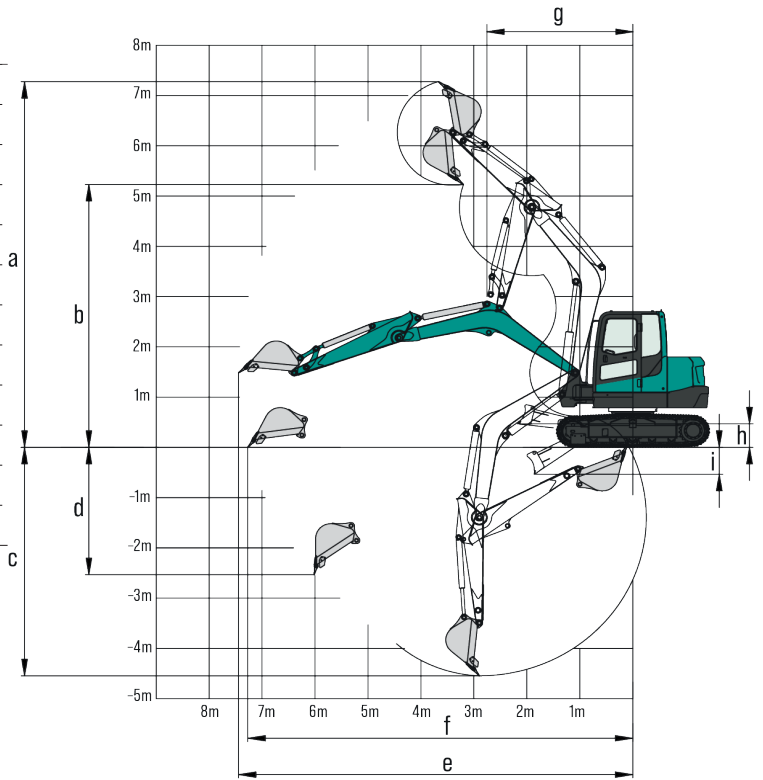
## DIMENSIONS





## WORKING RANGE

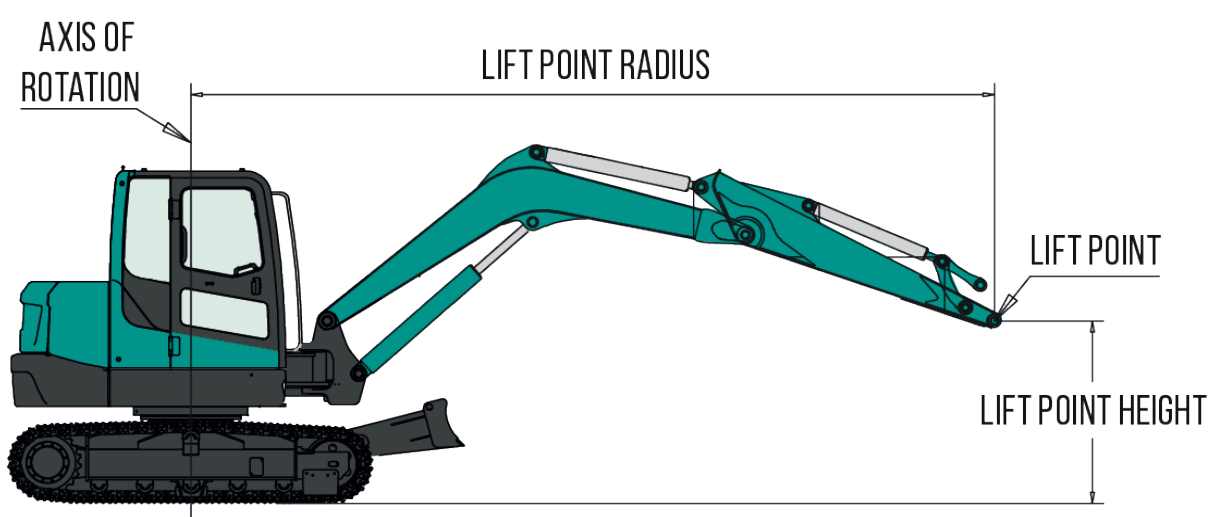
		Imperial	Metric
WORKING RANGE & BREAKOUT FORCE	a	Max. Cutting height	18' 5" / 5 610 mm
	b	Max. Loading height	12' 11" / 3 950 mm
	c	Max. Digging depth	12' 2" / 3 710 mm
	d	Max. Vertical digging depth	10' 6" / 3 199 mm
	e	Max. Digging reach	20' 5" / 6 235 mm
	f	Max. Reach on ground	20' / 6 105 mm
	g	Min. Front swing radius	8' 5" / 2 568 mm
	h	Max dozer lifting height	16" / 410 mm
	i	Max dozer cutting depth	16.54" / 424 mm
		Max digging force (Bucket)	10,565.6 lbf / 47 kN
		Max digging force (Arm)	6,968.8 lbf / 31 kN
		Boom swing angle (Left/Right)	64/47° / 64/47°



## LIFTING CAPACITY

Lift Point Height (ft/m)	Lift Point Radius (MAX)		Lift Point Radius (16'5")		Lift Point Radius (13'1")		Lift Point Radius (9'10")	
	Over-front (lbs/kg)	Over-side (lbs/kg)	Over-front (lbs/kg)	Over-side (lbs/kg)	Over-front (lbs/kg)	Over-side (lbs/kg)	Over-front (lbs/kg)	Over-side (lbs/kg)
13'1" / 4.0	2,017.6*	915.0*	1,835.7*	832.5*	/	/	/	/
9'10" / 3.0	1,686.8*	765.0*	1,488.4*	675.0*	/	/	2,381.4*	1,080.0*
6'7" / 2.0	1,554.5*	705.0*	1,273.4*	577.5*	1,662.1*	753.8*	1,405.7*	637.5*
3'3" / 1.0	1,488.4*	675.0*	1,207.2*	547.5*	1,504.9*	682.5*	1,339.5*	607.5*
0.0 / 0.0	1,372.6*	622.5*	1,190.7*	540.0*	1,389.2*	630.0*	1,273.4*	577.5*
-3'3" / -1.0	1,504.9*	682.5*	1,323.0*	600.0*	/	/	1,901.8*	862.5*
-6'7" / -2.0	1,753.0*	795.0*	1,604.1*	727.5*	/	/	1,885.3*	855.0*

- Notes:
- Load with \* is limited by hydraulic capacity and based on ISO 10567. Rated loads do not exceed 87% of hydraulic capacity.
  - Load without \* is limited by tipping load and based on ISO 10567. Rated loads do not exceed 75% of tipping capacity.
  - The excavator bucket, hook, sling and other lifting accessories are not included in this table.



## Sunward America and Sunward Canada

Please check our website for our current list of dealers.



### SUNWARD AMERICA CORP

✉ 2710 Geesling Road  
Denton, TX 76208

☎ (469) 353-6890

✉ Contact@sunwardamerica.com

🌐 [www.sunwardamerica.com](http://www.sunwardamerica.com)

### DEALER CONTACTS