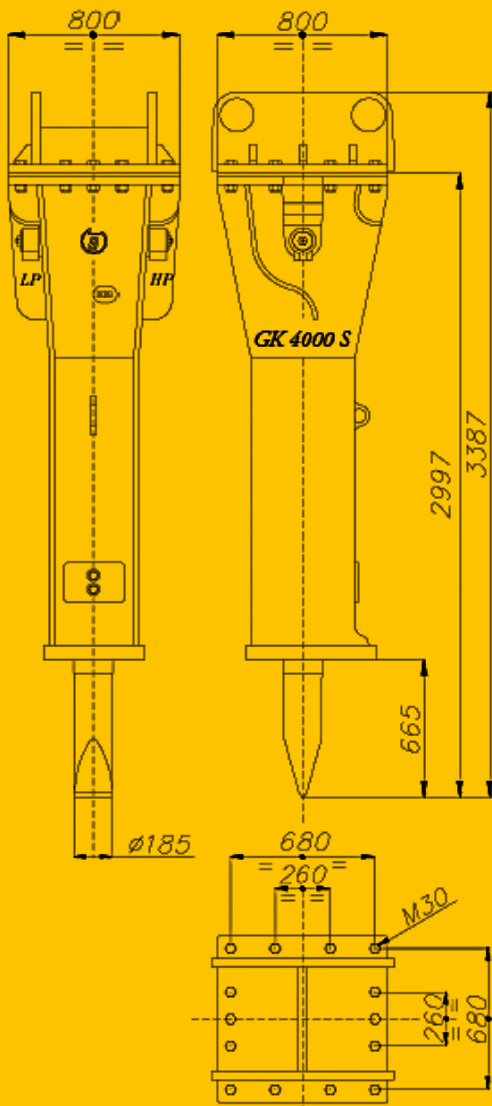




Italdem®

GK-4000 S HYDRAULIC BREAKER



OPERATING WEIGHT	4000 KG
TOOL DIAMETER	185 MM
OIL FLOW	300÷310 L/MIN
WORKING PRESSURE	150÷160 BAR
RELIEF VALVE	200 BAR
MAX BACKPRESSURE	12 BAR
BLOW ENERGY	8300 JOULE
REQUIRED POWER	112 HP
IMPACT RATE	450 (600)
CARRIER WEIGHT	40÷65 TON
MAX NOISE LEVEL (SILENCED)	88 DB-A
INNER DIAMETER HP LINE	32 MM
INNER DIAMETER LP LINE	38 MM

www.italdem.com