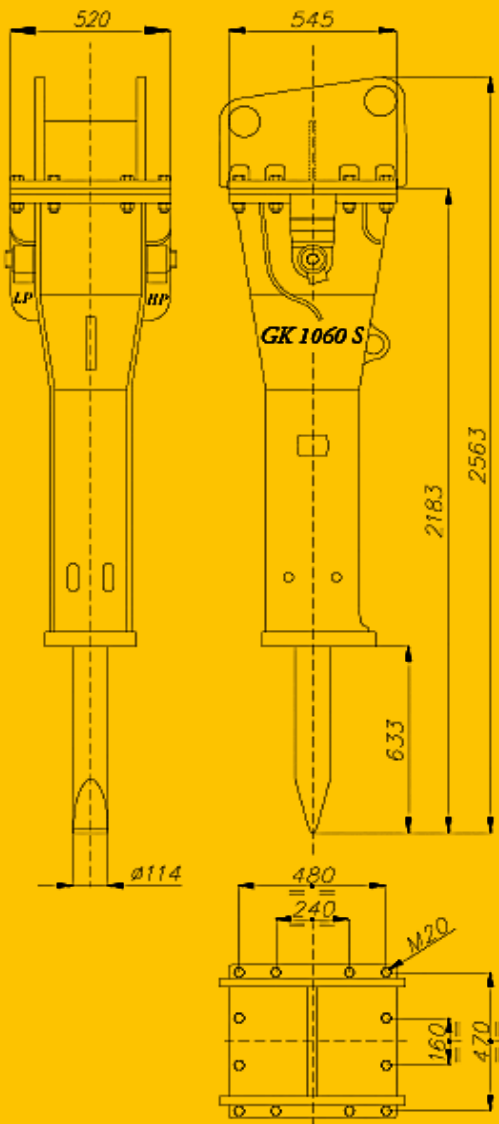




Italdem®

GK-1060 S HYDRAULIC BREAKER



OPERATING WEIGHT	1050 KG
TOOL DIAMETER	114 MM
OIL FLOW	130÷150 L/MIN
WORKING PRESSURE	110÷120 BAR
RELIEF VALVE	170 BAR
MAX BACKPRESSURE	12 BAR
BLOW ENERGY	2300 JOULE
REQUIRED POWER	38 HP
IMPACT RATE	500÷600
CARRIER WEIGHT	13÷20 TON
MAX NOISE LEVEL (SILENCED)	88 DB-A
INNER DIAMETER HP LINE	20 MM
INNER DIAMETER LP LINE	36 MM

www.italdem.com